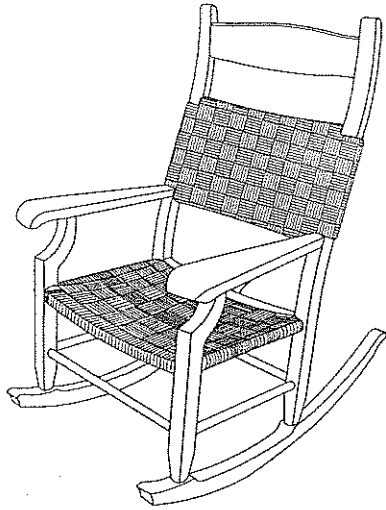


# ASSEMBLY INSTRUCTIONS

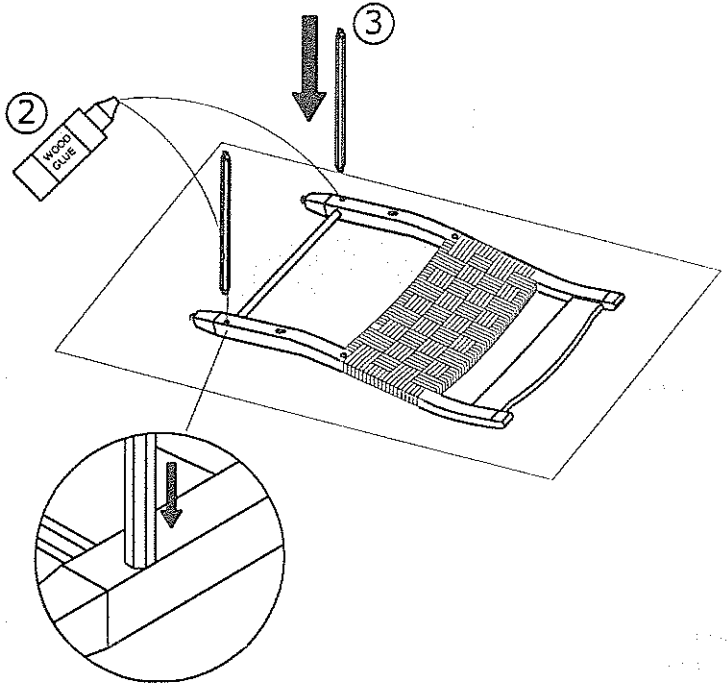


## IMPORTANT !

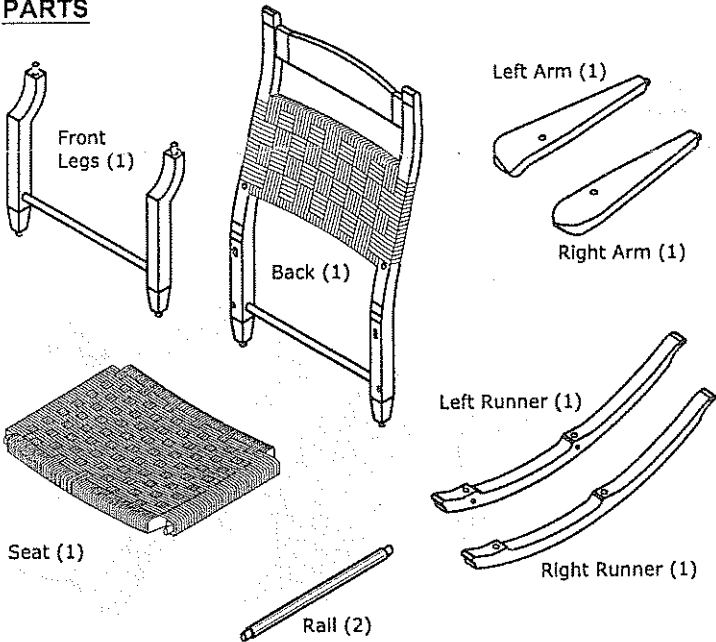
Assemble the rocker following the specified sequence. The product will not assemble properly if the sequence is altered.

## STEP 1

1. In order not to damage the finish during assembly, place the rocker on a soft surface, such as the carton.
2. Apply glue to the two lower slots of the back.
3. Insert the rails into the lower slots of the back.

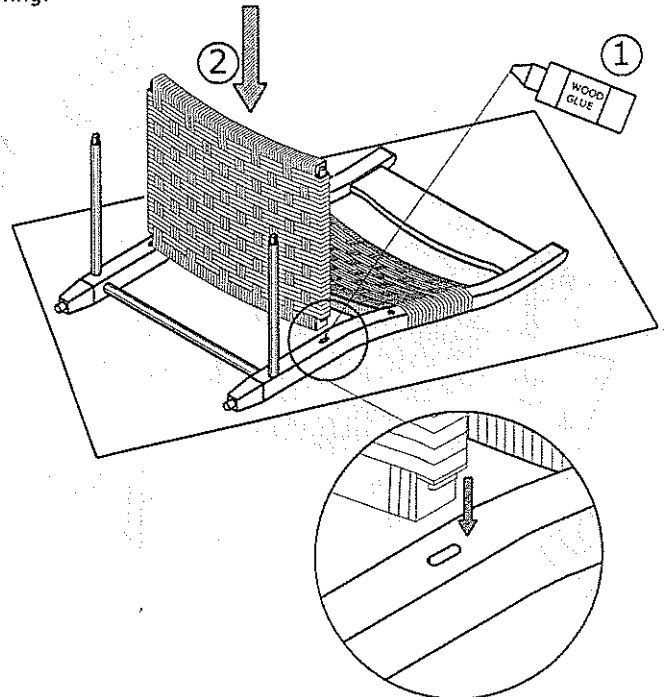


## PARTS

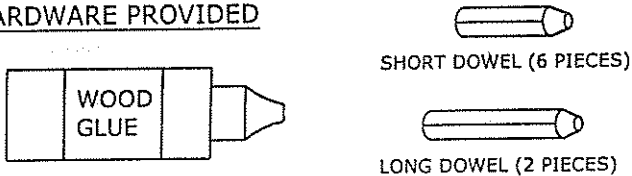


## STEP 2

1. Apply glue to the slots of the back.
2. Insert the seat into slots of the back. Do it as shown in the drawing.



## HARDWARE PROVIDED



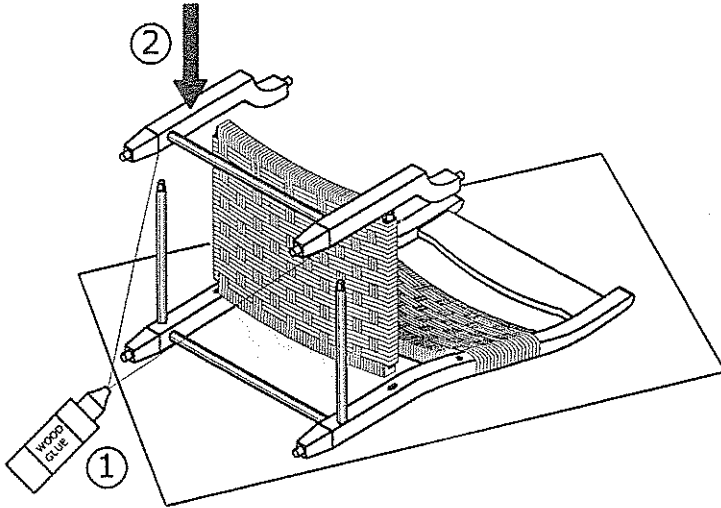
## TOOLS NEEDED (Not Provided)



# ASSEMBLY INSTRUCTIONS

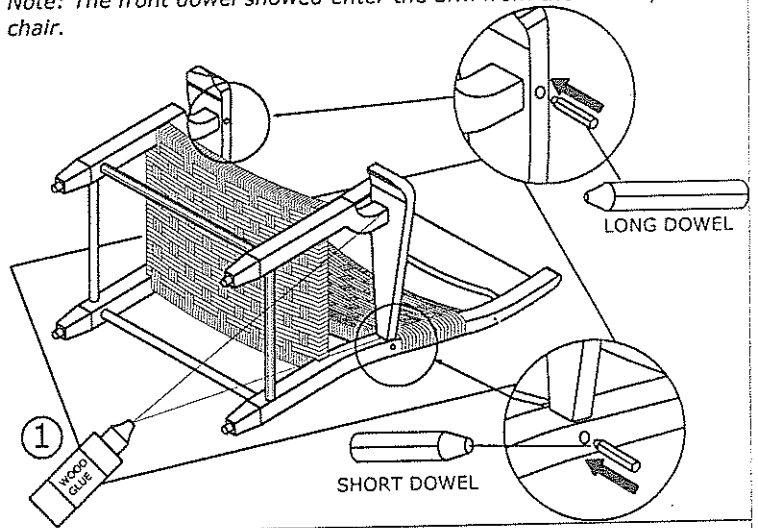
## STEP 3

1. Apply glue to the slots of the front legs.
2. Insert the seat and the rails into the slots of the front.



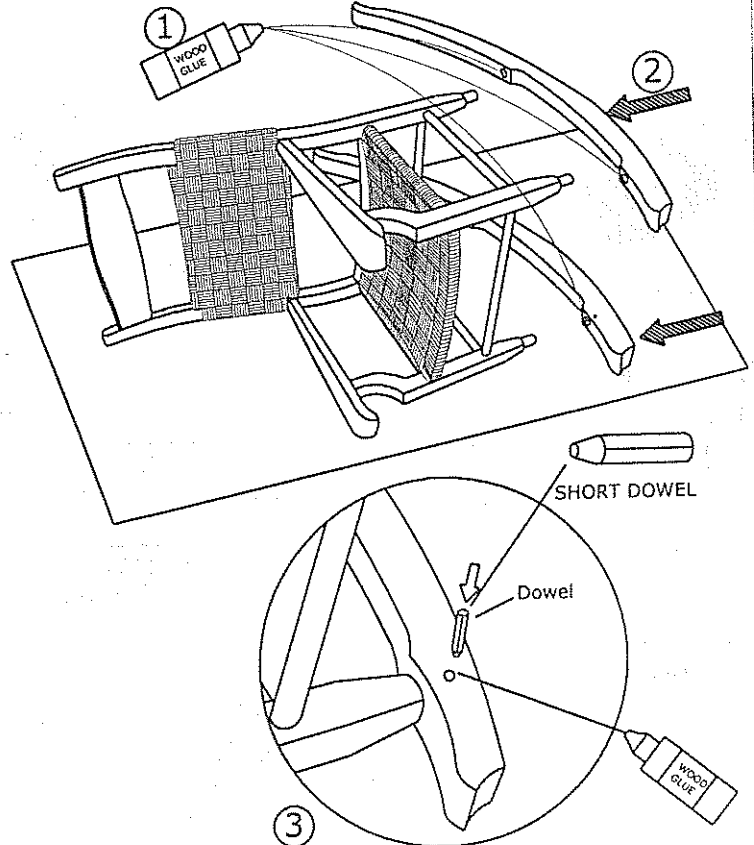
## STEP 5

1. Using glue, secure each joint with the dowels provided as shown in the drawing. (Use the two long dowels for the front arm)  
*Note: The front dowel showed enter the arm from the inside part of chair.*



## STEP 6

1. Apply glue to the runner holes.
2. Insert the front legs tennons into the runner holes, as shown below.
3. Using glue, secure the runners inserting the short dowels provided.  
*Note: runners are marked L (left) and R (right). The dowel showed enter the runner from the inside part of chair.*
4. Stand the rocker on the floor and let stand for 24 hours at room temperature to let glue dry.



## STEP 4

1. Apply glue to the hole and tenon of one arm.
2. Insert one arm into the hole of the back and front leg tenon. Be careful to insert both joints at the same time.
3. Repeat the same steps for the other arm.

